

# UNIVERSITY OF RUHUNA

## Faculty of Engineering

End-Semester 5 Examination in Engineering: August 2015

Module Number: CE 5218

Module Name: Design of Steel Structures

[Three Hours]

[Answer all questions, each question carries 12 marks]

*Code of Practice BS5950 Part 1 (2000) is provided*

Q1. Briefly explain the followings.

- Advantages and disadvantages in use of steel as a building construction material.
- Properties and contents of "High strength steel" and "Mild steel"
- Web bearing and web buckling
- Factors that affect on lateral torsional buckling capacity of an un-restrained beam

[4x3 Marks]

Q2. A steel truss has been proposed to be used in a roof structure of a factory building. A design engineer has analyzed the truss for three load cases (i.e., dead, imposed and wind loads) by using a software. Resultant member forces for two critical web members and their lengths are summarized in Table Q2.

- Determine the design axial forces in the two critical web members at the ultimate limit state, considering all possible load combinations.

[3 Marks]

- It has been decided to use single equal angle section of 120x 120 x 10 of Grade S275 steel for these critical web members, which will be connected to gusset plates by two number of M20 bolts (Grade 8.8) in line along the angle.

- Determine the tensile capacity of the proposed section. Comment on its ability to carry the design tensile force at the ultimate limit state.
- Determine the compressive capacity of the proposed section. Is it sufficient to carry the design compressive force at the ultimate limit state?
- Discuss possible methods to improve compressive capacity of the section?

[9 Marks]

Q3. A mezzanine floor is required in a warehouse and is proposed to be constructed using steel sections as main beams and secondary beams (Figure Q3). The length of the main beam is 12 m. The main beam is expected to support uniformly distributed load of 5 kNm<sup>-1</sup> (factored) and two point load of 120 kN (factored) transferred from the secondary beams.

- Draw shear force and bending moment diagrams for the main beam and hence determine the design shear force and the design bending moment at the ultimate limit state.

[3 Marks]

- It has been proposed to use 533x210x92 UB section for the main beams and

356x171x45 UB section for the secondary beams. Both sections are in steel Grade of S275.

- i) Determine shear capacity and moment capacity of the section proposed for main beams. Hence determine whether the proposed section for main beams can withstand the design shear force and bending moment.
- ii) Check whether the web of the main beam will fail by web bearing and web buckling.

[9 Marks]

Q4. You were appointed as a junior design engineer and assigned for a task of designing a warehouse building, which consists of several portal frames. A typical portal frame was analysed for the ultimate load conditions using structural analysis software and found that a column of the frame (Figure Q4) was subjected to forces and moments as listed in Table Q4. The variation of major axis bending moment is linear along the length of the column.

Based on the experience, 305 x305x 97 UC section in Grade S275 steel is proposed. At supports, both flanges are restrained against rotation while the compression flange is laterally restrained.

- a) Classify the section into plastic, compact, semi-compact or slender. [1 Mark]
- b) Determine the compressive capacity of the proposed section. Assume that both ends of the columns are effectively held in position and partially restrained in direction. [3 Marks]
- c) Determine the moment capacity of the proposed section about the major axis. [2 Marks]
- d) Determine buckling resisting moment,  $M_b$ , of the column, assuming loading condition is normal. [3 Marks]
- e) Determine section capacity and overall buckling capacity of the proposed section. [3 Marks]

Q5. A typical bolted bracket connection, is expected to carry a point load as shown in Figure Q5. The connection consists of 10 number of M20 bolts of Grade 8.8

- a) Identify, with justifications, whether the joint shown in Figure Q5 is rigid or flexible. [3 Marks]
- b) Determine whether the bolt group arrangement shown in Figure Q5 can withstand the applied force and moment. Assume that the neutral axis of the bolt group is located 30 mm above the bottom flange level.

[9 Marks]

Table Q2

Member	Nodal length (m)	Axial force in member due to unfactored loads (kN)		
		Dead load	Imposed load	Wind load
Member 1	1.50	-200	-50	+100
Member 2	2.00	+120	+30	-60

Table Q4

Ultimate axial compressive force		400 kN
Ultimate bending moments about the major axis of the section	at the top	150 kNm
	at the bottom	75 kNm

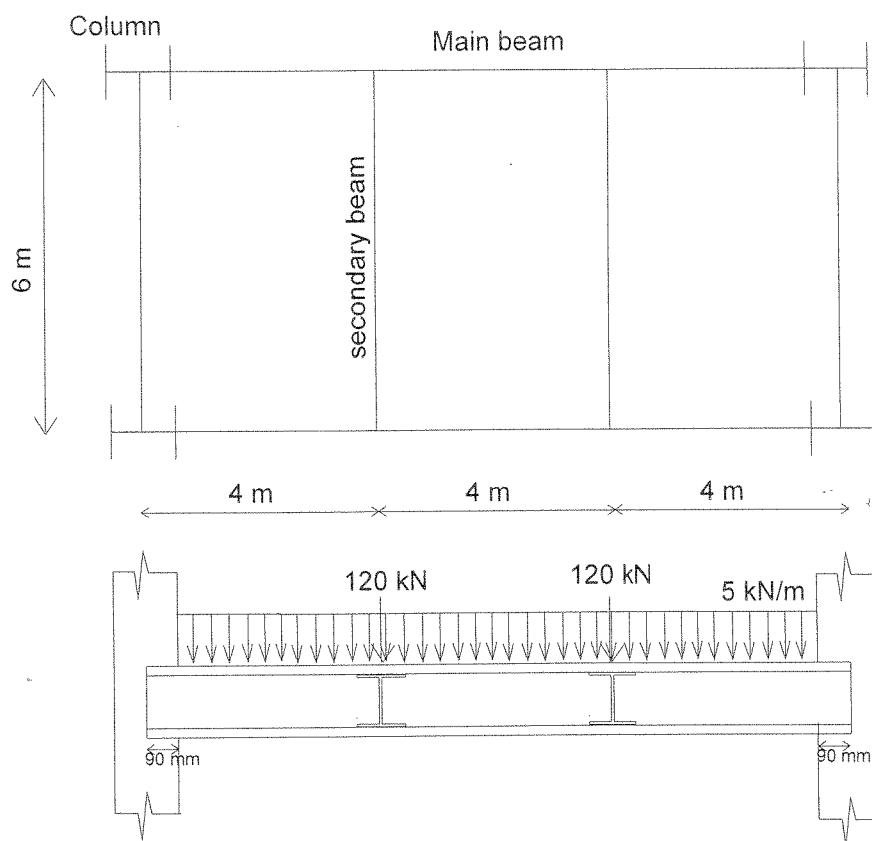


Figure Q3

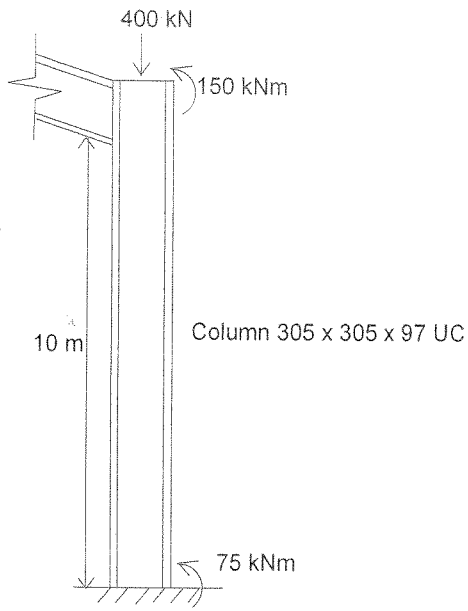


Figure Q4

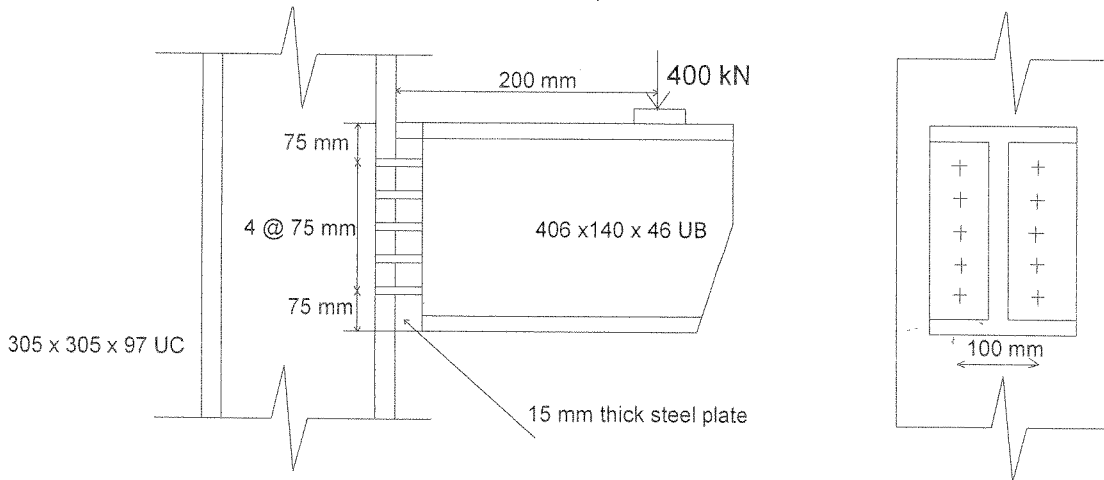
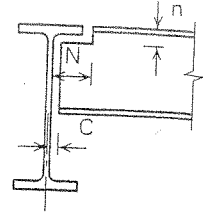
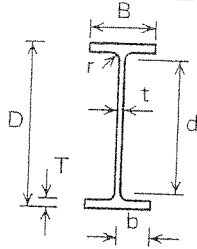


Figure Q5

BS 5950-1: 2000  
BS 4-1: 2005

# UNIVERSAL BEAMS

## Advance UKB



### Dimensions

Section Designation	Mass per Metre kg/m	Depth of Section D mm	Width of Section B mm	Thickness		Root Radius r mm	Depth between Fillets d mm	Ratios for Local Buckling		Dimensions for Detailing			Surface Area	
				Web t mm	Flange T mm			Flange b/T	Web d/t	End Clearance C mm	Notch		Per Metre m <sup>2</sup>	Per Tonn <sup>2</sup>
											N mm	n mm		
533x210x138 +	138.3	549.1	213.9	14.7	23.6	12.7	476.5	4.53	32.4	9	110	38	1.90	13.7
533x210x122	122.0	544.5	211.9	12.7	21.3	12.7	476.5	4.97	37.5	8	110	34	1.89	15.5
533x210x109	109.0	539.5	210.8	11.6	18.8	12.7	476.5	5.61	41.1	8	110	32	1.88	17.2
533x210x101	101.0	536.7	210.0	10.8	17.4	12.7	476.5	6.03	44.1	7	110	32	1.87	18.5
533x210x92	92.1	533.1	209.3	10.1	15.6	12.7	476.5	6.71	47.2	7	110	30	1.86	20.2
533x210x82	82.2	528.3	208.8	9.6	13.2	12.7	476.5	7.91	49.6	7	110	26	1.85	22.5
533x165x85 +	84.8	534.9	166.5	10.3	16.5	12.7	476.5	5.05	46.3	7	90	30	1.69	19.9
533x165x75 +	74.7	529.1	165.9	9.7	13.6	12.7	476.5	6.10	49.1	7	90	28	1.68	22.5
533x165x66 +	65.7	524.7	165.1	8.9	11.4	12.7	476.5	7.24	53.5	6	90	26	1.67	25.4
457x191x161 +	161.4	492.0	199.4	18.0	32.0	10.2	407.6	3.12	22.6	11	102	44	1.73	10.7
457x191x133 +	133.3	480.6	196.7	15.3	26.3	10.2	407.6	3.74	26.6	10	102	38	1.70	12.8
457x191x106 +	105.8	469.2	194.0	12.6	20.6	10.2	407.6	4.71	32.3	8	102	32	1.67	15.8
457x191x98	98.3	467.2	192.8	11.4	19.6	10.2	407.6	4.92	35.8	8	102	30	1.67	17.0
457x191x89	89.3	463.4	191.9	10.5	17.7	10.2	407.6	5.42	38.8	7	102	28	1.66	18.6
457x191x82	82.0	460.0	191.3	9.9	16.0	10.2	407.6	5.98	41.2	7	102	28	1.65	20.1
457x191x74	74.3	457.0	190.4	9.0	14.5	10.2	407.6	6.57	45.3	7	102	26	1.64	22.1
457x191x67	67.1	453.4	189.9	8.5	12.7	10.2	407.6	7.48	48.0	6	102	24	1.63	24.3
457x152x82	82.1	465.8	155.3	10.5	18.9	10.2	407.6	4.11	38.8	7	84	30	1.51	18.4
457x152x74	74.2	462.0	154.4	9.6	17.0	10.2	407.6	4.54	42.5	7	84	28	1.50	20.2
457x152x67	67.2	458.0	153.8	9.0	15.0	10.2	407.6	5.13	45.3	7	84	26	1.50	22.3
457x152x60	59.8	454.6	152.9	8.1	13.3	10.2	407.6	5.75	50.3	6	84	24	1.49	24.9
457x152x52	52.3	449.8	152.4	7.6	10.9	10.2	407.6	6.99	53.6	6	84	22	1.48	28.3
406x178x85 +	85.3	417.2	181.9	10.9	18.2	10.2	360.4	5.00	33.1	7	96	30	1.52	17.8
406x178x74	74.2	412.8	179.5	9.5	16.0	10.2	360.4	5.61	37.9	7	96	28	1.51	20.4
406x178x67	67.1	409.4	178.8	8.8	14.3	10.2	360.4	6.25	41.0	6	96	26	1.50	22.3
406x178x60	60.1	406.4	177.9	7.9	12.8	10.2	360.4	6.95	45.6	6	96	24	1.49	24.8
406x178x54	54.1	402.6	177.7	7.7	10.9	10.2	360.4	8.15	46.8	6	96	22	1.48	27.3
406x140x53 +	53.3	406.6	143.3	7.9	12.9	10.2	360.4	5.55	45.6	6	78	24	1.35	25.3
406x140x46	46.0	403.2	142.2	6.8	11.2	10.2	360.4	6.35	53.0	5	78	22	1.34	29.1
406x140x39	39.0	398.0	141.8	6.4	8.6	10.2	360.4	8.24	56.3	5	78	20	1.33	34.1
356x171x67	67.1	363.4	173.2	9.1	15.7	10.2	311.6	5.52	34.2	7	94	26	1.38	20.6
356x171x57	57.0	358.0	172.2	8.1	13.0	10.2	311.6	6.62	38.5	6	94	24	1.37	24.1
356x171x51	51.0	355.0	171.5	7.4	11.5	10.2	311.6	7.46	42.1	6	94	22	1.36	26.7
356x171x45	45.0	351.4	171.1	7.0	9.7	10.2	311.6	8.82	44.5	6	94	20	1.36	30.2
356x127x39	39.1	353.4	126.0	6.6	10.7	10.2	311.6	5.89	47.2	5	70	22	1.18	30.2
356x127x33	33.1	349.0	125.4	6.0	8.5	10.2	311.6	7.38	51.9	5	70	20	1.17	35.4
305x165x54	54.0	310.4	166.9	7.9	13.7	8.9	265.2	6.09	33.6	6	90	24	1.26	23.3
305x165x46	46.1	306.6	165.7	6.7	11.8	8.9	265.2	7.02	39.6	5	90	22	1.25	27.1
305x165x40	40.3	303.4	165.0	6.0	10.2	8.9	265.2	8.09	44.2	5	90	20	1.24	30.8

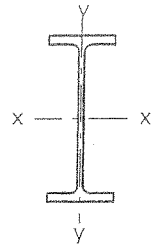
Advance and UKB are trademarks of Corus. A fuller description of the relationship between Universal Beams (UB) and the Advance range of sections manufactured by Corus is given on page A - 42.

+ These sections are in addition to the range of BS 4 sections.

FOR EXPLANATION OF TABLES SEE NOTE 2

## UNIVERSAL BEAMS

## Advance UKB



## Properties

Section Designation	Second Moment of Area		Radius of Gyration		Elastic Modulus		Plastic Modulus		Buckling Parameter u	Torsional Index x	Warping Constant H dm <sup>5</sup>	Torsional Constant J cm <sup>4</sup>	Area of Section A cm <sup>2</sup>
	Axis x-x cm <sup>4</sup>	Axis y-y cm <sup>4</sup>	Axis x-x cm	Axis y-y cm	Axis x-x cm <sup>3</sup>	Axis y-y cm <sup>3</sup>	Axis x-x cm <sup>3</sup>	Axis y-y cm <sup>3</sup>					
533x210x138 +	86100	3860	22.1	4.68	3140	361	3610	568	0.873	25.0	2.67	250	176
533x210x122	76000	3390	22.1	4.67	2790	320	3200	500	0.877	27.6	2.32	178	155
533x210x109	66800	2940	21.9	4.60	2480	279	2830	436	0.875	30.9	1.99	126	139
533x210x101	61500	2690	21.9	4.57	2290	256	2610	399	0.874	33.2	1.81	101	129
533x210x92	55200	2390	21.7	4.51	2070	228	2360	355	0.872	36.5	1.60	75.7	117
533x210x82	47500	2010	21.3	4.38	1800	192	2060	300	0.864	41.6	1.33	51.5	105
533x165x85 +	48500	1270	21.2	3.44	1820	153	2100	243	0.862	35.5	0.857	73.8	108
533x165x75 +	41100	1040	20.8	3.30	1550	125	1810	200	0.853	41.1	0.691	47.9	95.2
533x165x66 +	35000	859	20.5	3.20	1340	104	1560	166	0.847	47.0	0.566	32.0	83.7
457x191x161 +	79800	4250	19.7	4.55	3240	426	3780	672	0.882	16.4	2.25	515	206
457x191x133 +	63800	3350	19.4	4.44	2660	341	3070	535	0.880	19.6	1.73	292	170
457x191x106 +	48900	2510	19.0	4.32	2080	259	2390	405	0.877	24.4	1.27	146	135
457x191x98	45700	2350	19.1	4.33	1960	243	2230	379	0.881	25.7	1.18	121	125
457x191x89	41000	2090	19.0	4.29	1770	218	2010	338	0.880	28.3	1.04	90.7	114
457x191x82	37100	1870	18.8	4.23	1610	196	1830	304	0.877	30.9	0.922	69.2	104
457x191x74	33300	1670	18.8	4.20	1460	176	1650	272	0.877	33.9	0.818	51.8	94.6
457x191x67	29400	1450	18.5	4.12	1300	153	1470	237	0.872	37.9	0.705	37.1	85.5
457x152x82	36600	1180	18.7	3.37	1570	153	1810	240	0.873	27.4	0.591	89.2	105
457x152x74	32700	1050	18.6	3.33	1410	136	1630	213	0.873	30.1	0.518	65.9	94.5
457x152x67	28900	913	18.4	3.27	1260	119	1450	187	0.869	33.6	0.448	47.7	85.6
457x152x60	25500	795	18.3	3.23	1120	104	1290	163	0.868	37.5	0.387	33.8	76.2
457x152x52	21400	645	17.9	3.11	950	84.6	1100	133	0.859	43.9	0.311	21.4	66.6
406x178x85 +	31700	1830	17.1	4.11	1520	201	1730	313	0.881	24.4	0.728	93.0	109
406x178x74	27300	1550	17.0	4.04	1320	172	1500	267	0.882	27.6	0.608	62.8	94.5
406x178x67	24300	1360	16.9	3.99	1190	153	1350	237	0.880	30.5	0.533	46.1	85.5
406x178x60	21600	1200	16.8	3.97	1060	135	1200	209	0.880	33.8	0.466	33.3	76.5
406x178x54	18700	1020	16.5	3.85	930	115	1050	178	0.871	38.3	0.392	23.1	69.0
406x140x53 +	18300	635	16.4	3.06	899	88.6	1030	139	0.870	34.1	0.246	29.0	67.9
406x140x46	15700	538	16.4	3.03	778	75.7	888	118	0.871	38.9	0.207	19.0	58.6
406x140x39	12500	410	15.9	2.87	629	57.8	724	90.8	0.858	47.5	0.155	10.7	49.7
356x171x67	19500	1360	15.1	3.99	1070	157	1210	243	0.886	24.4	0.412	55.7	85.5
356x171x57	16000	1110	14.9	3.91	896	129	1010	199	0.882	28.8	0.330	33.4	72.6
356x171x51	14100	968	14.8	3.86	796	113	896	174	0.881	32.1	0.286	23.8	64.9
356x171x45	12100	811	14.5	3.76	687	94.8	775	147	0.874	36.8	0.237	15.8	57.3
356x127x39	10200	358	14.3	2.68	576	56.8	659	89.0	0.871	35.2	0.105	15.1	49.8
356x127x33	8250	280	14.0	2.58	473	44.7	543	70.2	0.863	42.2	0.081	8.79	42.1
305x165x54	11700	1060	13.0	3.93	754	127	846	196	0.889	23.6	0.234	34.8	68.8
305x165x46	9900	896	13.0	3.90	646	108	720	166	0.891	27.1	0.195	22.2	58.7
305x165x40	8500	764	12.9	3.86	560	92.6	623	142	0.889	31.0	0.164	14.7	51.3

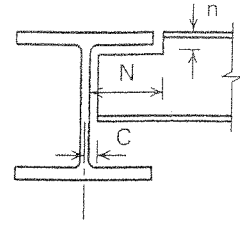
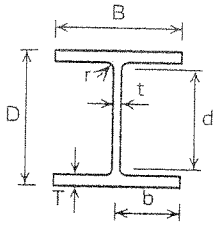
Advance and UKB are trademarks of Corus. A fuller description of the relationship between Universal Beams (UB) and the Advance range of sections manufactured by Corus is given on page A - 42.

+ These sections are in addition to the range of BS 4 sections.

FOR EXPLANATION OF TABLES SEE NOTE 3

# UNIVERSAL COLUMNS

## Advance UKC



Dimensions

Section Designation	Mass per Metre kg/m	Depth of Section D mm	Width of Section B mm	Thickness		Root Radius r mm	Depth between Fillets d mm	Ratios for Local Buckling		Dimensions for Detailing			Surface Area	
				Web t mm	Flange T mm			Flange b/T	Web d/t	End Clearance C mm	Notch		Per Metre m <sup>2</sup>	Per Tonne m <sup>2</sup>
											N mm	n mm		
356x406x634	633.9	474.6	424.0	47.6	77.0	15.2	290.2	2.75	6.10	26	200	94	2.52	3.98
356x406x551	551.0	455.6	418.5	42.1	67.5	15.2	290.2	3.10	6.89	23	200	84	2.47	4.48
356x406x467	467.0	436.6	412.2	35.8	58.0	15.2	290.2	3.55	8.11	20	200	74	2.42	5.18
356x406x393	393.0	419.0	407.0	30.6	49.2	15.2	290.2	4.14	9.48	17	200	66	2.38	6.06
356x406x340	339.9	406.4	403.0	26.6	42.9	15.2	290.2	4.70	10.9	15	200	60	2.35	6.91
356x406x287	287.1	393.6	399.0	22.6	36.5	15.2	290.2	5.47	12.8	13	200	52	2.31	8.05
356x406x235	235.1	381.0	394.8	18.4	30.2	15.2	290.2	6.54	15.8	11	200	46	2.28	9.70
356x368x202	201.9	374.6	374.7	16.5	27.0	15.2	290.2	6.94	17.6	10	190	44	2.19	10.8
356x368x177	177.0	368.2	372.6	14.4	23.8	15.2	290.2	7.83	20.2	9	190	40	2.17	12.3
356x368x153	152.9	362.0	370.5	12.3	20.7	15.2	290.2	8.95	23.6	8	190	36	2.16	14.1
356x368x129	129.0	355.6	368.6	10.4	17.5	15.2	290.2	10.5	27.9	7	190	34	2.14	16.6
305x305x283	282.9	365.3	322.2	26.8	44.1	15.2	246.7	3.65	9.21	15	158	60	1.94	6.86
305x305x240	240.0	352.5	318.4	23.0	37.7	15.2	246.7	4.22	10.7	14	158	54	1.91	7.96
305x305x198	198.1	339.9	314.5	19.1	31.4	15.2	246.7	5.01	12.9	12	158	48	1.87	9.44
305x305x158	158.1	327.1	311.2	15.8	25.0	15.2	246.7	6.22	15.6	10	158	42	1.84	11.6
305x305x137	136.9	320.5	309.2	13.8	21.7	15.2	246.7	7.12	17.90	9	158	38	1.82	13.3
305x305x118	117.9	314.5	307.4	12.0	18.7	15.2	246.7	8.22	20.6	8	158	34	1.81	15.4
305x305x97	96.9	307.9	305.3	9.9	15.4	15.2	246.7	9.91	24.9	7	158	32	1.79	18.5
254x254x167	167.1	289.1	265.2	19.2	31.7	12.7	200.3	4.18	10.4	12	134	46	1.58	9.46
254x254x132	132.0	276.3	261.3	15.3	25.3	12.7	200.3	5.16	13.1	10	134	38	1.55	11.7
254x254x107	107.1	266.7	258.8	12.8	20.5	12.7	200.3	6.31	15.6	8	134	34	1.52	14.2
254x254x89	88.9	260.3	256.3	10.3	17.3	12.7	200.3	7.41	19.4	7	134	30	1.50	16.9
254x254x73	73.1	254.1	254.6	8.6	14.2	12.7	200.3	8.96	23.3	6	134	28	1.49	20.4
203x203x127 +	127.5	241.4	213.9	18.1	30.1	10.2	160.8	3.55	8.88	11	108	42	1.28	10.0
203x203x113 +	113.5	235.0	212.1	16.3	26.9	10.2	160.8	3.94	9.87	10	108	38	1.27	11.2
203x203x100 +	99.6	228.6	210.3	14.5	23.7	10.2	160.8	4.44	11.1	9	108	34	1.25	12.6
203x203x86	86.1	222.2	209.1	12.7	20.5	10.2	160.8	5.10	12.7	8	110	32	1.24	14.4
203x203x71	71.0	215.8	206.4	10.0	17.3	10.2	160.8	5.97	16.1	7	110	28	1.22	17.2
203x203x60	60.0	209.6	205.8	9.4	14.2	10.2	160.8	7.25	17.1	7	110	26	1.21	20.2
203x203x52	52.0	206.2	204.3	7.9	12.5	10.2	160.8	8.17	20.4	6	110	24	1.20	23.1
203x203x46	46.1	203.2	203.6	7.2	11.0	10.2	160.8	9.25	22.3	6	110	22	1.19	25.8
152x152x51 +	51.2	170.2	157.4	11.0	15.7	7.6	123.6	5.01	11.2	8	84	24	0.935	18.3
152x152x44 +	44.0	166.0	155.9	9.5	13.6	7.6	123.6	5.73	13.0	7	84	22	0.924	21.0
152x152x37	37.0	161.8	154.4	8.0	11.5	7.6	123.6	6.71	15.5	6	84	20	0.912	24.7
152x152x30	30.0	157.6	152.9	6.5	9.4	7.6	123.6	8.13	19.0	5	84	18	0.901	30.0
152x152x23	23.0	152.4	152.2	5.8	6.8	7.6	123.6	11.20	21.3	5	84	16	0.889	38.7

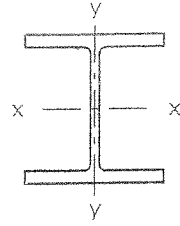
Advance and UKC are trademarks of Corus. A fuller description of the relationship between Universal Columns (UC) and the Advance range of sections manufactured by Corus is given on page A - 42.

+ These sections are in addition to the range of BS 4 sections.

FOR EXPLANATION OF TABLES SEE NOTE 2

UNIVERSAL COLUMNS

Advance UKC



Properties

Section Designation	Second Moment of Area		Radius of Gyration		Elastic Modulus		Plastic Modulus		Buckling Parameter u	Torsional Index x	Warping Constant H dm <sup>6</sup>	Torsional Constant J cm <sup>4</sup>	Area of Section A cm <sup>2</sup>
	Axis x-x	Axis y-y	Axis x-x	Axis y-y	Axis x-x	Axis y-y	Axis x-x	Axis y-y					
	cm <sup>4</sup>	cm <sup>4</sup>	cm	cm	cm <sup>3</sup>	cm <sup>3</sup>	cm <sup>3</sup>	cm <sup>3</sup>					
356x406x634	275000	98100	18.4	11.0	11600	4630	14200	7110	0.843	5.46	38.8	13700	808
356x406x551	227000	82700	18.0	10.9	9960	3950	12100	6060	0.841	6.05	31.1	9240	702
356x406x467	183000	67800	17.5	10.7	8380	3290	10000	5030	0.839	6.86	24.3	5810	595
356x406x393	147000	55400	17.1	10.5	7000	2720	8220	4150	0.837	7.86	18.9	3550	501
356x406x340	123000	46900	16.8	10.4	6030	2330	7000	3540	0.836	8.85	15.5	2340	433
356x406x287	99900	38700	16.5	10.3	5070	1940	5810	2950	0.835	10.2	12.3	1440	366
356x406x235	79100	31000	16.3	10.2	4150	1570	4690	2380	0.834	12.1	9.54	812	299
356x368x202	66300	23700	16.1	9.60	3540	1260	3970	1920	0.844	13.4	7.16	558	257
356x368x177	57100	20500	15.9	9.54	3100	1100	3460	1670	0.844	15.0	6.09	381	226
356x368x153	48600	17600	15.8	9.49	2680	948	2960	1430	0.844	17.0	5.11	251	195
356x368x129	40200	14600	15.6	9.43	2260	793	2480	1200	0.844	19.9	4.18	153	164
305x305x283	78900	24600	14.8	8.27	4320	1530	5110	2340	0.855	7.65	6.35	2030	360
305x305x240	64200	20300	14.5	8.15	3640	1280	4250	1950	0.854	8.74	5.03	1270	306
305x305x198	50900	16300	14.2	8.04	3000	1040	3440	1580	0.854	10.2	3.88	734	252
305x305x158	38700	12600	13.9	7.90	2370	808	2680	1230	0.851	12.5	2.87	378	201
305x305x137	32800	10700	13.7	7.83	2050	692	2300	1050	0.851	14.2	2.39	249	174
305x305x118	27700	9060	13.6	7.77	1760	589	1960	895	0.850	16.2	1.98	161	150
305x305x97	22200	7310	13.4	7.69	1450	479	1590	726	0.850	19.3	1.56	91.2	123
254x254x167	30000	9870	11.9	6.81	2080	744	2420	1140	0.851	8.49	1.63	626	213
254x254x132	22500	7530	11.6	6.69	1630	576	1870	878	0.850	10.3	1.19	319	168
254x254x107	17500	5930	11.3	6.59	1310	458	1480	697	0.848	12.4	0.898	172	136
254x254x89	14300	4860	11.2	6.55	1100	379	1220	575	0.850	14.5	0.717	102	113
254x254x73	11400	3910	11.1	6.48	898	307	992	465	0.849	17.3	0.562	57.6	93.1
203x203x127 +	15400	4920	9.75	5.50	1280	460	1520	704	0.854	7.38	0.549	427	162
203x203x113,+	13300	4290	9.59	5.45	1130	404	1330	618	0.853	8.11	0.464	305	145
203x203x100 +	11300	3680	9.44	5.39	988	350	1150	534	0.852	9.02	0.386	210	127
203x203x86	9450	3130	9.28	5.34	850	299	977	456	0.850	10.2	0.318	137	110
203x203x71	7620	2540	9.18	5.30	706	246	799	374	0.853	11.9	0.250	80.2	90.4
203x203x60	6120	2060	8.96	5.20	584	201	656	305	0.846	14.1	0.197	47.2	76.4
203x203x52	5260	1780	8.91	5.18	510	174	567	264	0.848	15.8	0.167	31.8	66.3
203x203x46	4570	1550	8.82	5.13	450	152	497	231	0.847	17.7	0.143	22.2	58.7
152x152x51 +	3230	1020	7.04	3.96	379	130	438	199	0.848	10.1	0.061	48.8	65.2
152x152x44 +	2700	860	6.94	3.92	326	110	372	169	0.848	11.5	0.050	31.7	56.1
152x152x37	2210	706	6.85	3.87	273	91.5	309	140	0.848	13.3	0.040	19.2	47.1
152x152x30	1750	560	6.76	3.83	222	73.3	248	112	0.849	16.0	0.031	10.5	38.3
152x152x23	1250	400	6.54	3.70	164	52.6	182	80.1	0.840	20.7	0.021	4.63	29.2

Advance and UKC are trademarks of Corus. A fuller description of the relationship between Universal Columns (UC) and the Advance range of sections manufactured by Corus is given on page A - 42.

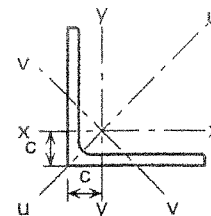
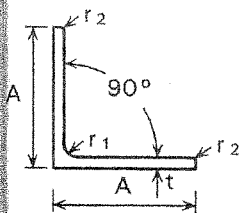
+ These sections are in addition to the range of BS 4 sections.

FOR EXPLANATION OF TABLES SEE NOTE 3



## EQUAL ANGLES

### Advance UKA - Equal Angles



Dimensions and properties

Section Designation		Mass per Metre	Radius		Area of Section	Dimension	Second Moment of Area			Radius of Gyration			Elastic Modulus	Torsional Constant	Equivalent Slenderness Coefficient
Size	Thickness		Root	Toe			Axis	Axis	Axis	Axis	Axis	Axis			
A x A mm	t mm	kg/m	r <sub>1</sub> mm	r <sub>2</sub> mm	cm <sup>2</sup>	c cm	x-x, y-y cm <sup>4</sup>	u-u cm <sup>4</sup>	v-v cm <sup>4</sup>	x-x, y-y cm	u-u cm	v-v cm	cm <sup>3</sup>	J cm <sup>4</sup>	φ <sub>a</sub>
200x200	24	71.1	18.0	9.00	90.6	5.84	3330	5280	1380	6.06	7.64	3.90	235	182	2.50
	20	59.9	18.0	9.00	76.3	5.68	2850	4530	1170	6.11	7.70	3.92	199	107	3.05
	18	54.3	18.0	9.00	69.1	5.60	2600	4150	1050	6.13	7.75	3.90	181	78.9	3.43
	16	48.5	18.0	9.00	61.8	5.52	2340	3720	960	6.16	7.76	3.94	162	56.1	3.85
150x150	18 +	40.1	16.0	8.00	51.2	4.38	1060	1680	440	4.55	5.73	2.93	99.8	58.6	2.48
	15	33.8	16.0	8.00	43.0	4.25	898	1430	370	4.57	5.76	2.93	83.5	34.6	3.01
	12	27.3	16.0	8.00	34.8	4.12	737	1170	303	4.60	5.80	2.95	67.7	18.2	3.77
	10	23.0	16.0	8.00	29.3	4.03	624	990	258	4.62	5.82	2.97	56.9	10.8	4.51
120x120	15 +	26.6	13.0	6.50	34.0	3.52	448	710	186	3.63	4.57	2.34	52.8	27.0	2.37
	12	21.6	13.0	6.50	27.5	3.40	368	584	152	3.65	4.60	2.35	42.7	14.2	2.99
	10	18.2	13.0	6.50	23.2	3.31	313	497	129	3.67	4.63	2.36	36.0	8.41	3.61
	8 +	14.7	13.0	6.50	18.8	3.24	259	411	107	3.71	4.67	2.38	29.5	4.44	4.56
100x100	15 +	21.9	12.0	6.00	28.0	3.02	250	395	105	2.99	3.76	1.94	35.8	22.3	1.92
	12	17.8	12.0	6.00	22.7	2.90	207	328	85.7	3.02	3.80	1.94	29.1	11.8	2.44
	10	15.0	12.0	6.00	19.2	2.82	177	280	73.0	3.04	3.83	1.95	24.6	6.97	2.94
	8	12.2	12.0	6.00	15.5	2.74	145	230	59.9	3.06	3.85	1.96	19.9	3.68	3.70
90x90	12 +	15.9	11.0	5.50	20.3	2.66	149	235	62.0	2.71	3.40	1.75	23.5	10.5	2.17
	10	13.4	11.0	5.50	17.1	2.58	127	201	52.6	2.72	3.42	1.75	19.8	6.20	2.64
	8	10.9	11.0	5.50	13.9	2.50	104	166	43.1	2.74	3.45	1.76	16.1	3.28	3.33
	7	9.61	11.0	5.50	12.2	2.45	92.6	147	38.3	2.75	3.46	1.77	14.1	2.24	3.80
80x80	10	11.9	10.0	5.00	15.1	2.34	87.5	139	36.4	2.41	3.03	1.55	15.4	5.45	2.33
	8	9.63	10.0	5.00	12.3	2.26	72.2	115	29.9	2.43	3.06	1.56	12.6	2.88	2.94
75x75	8	8.99	9.00	4.50	11.4	2.14	59.1	93.8	24.5	2.27	2.86	1.46	11.0	2.65	2.76
	6	6.85	9.00	4.50	8.73	2.05	45.8	72.7	18.9	2.29	2.89	1.47	8.41	1.17	3.70
70x70	7	7.38	9.00	4.50	9.40	1.97	42.3	67.1	17.5	2.12	2.67	1.36	8.41	1.69	2.92
	6	6.38	9.00	4.50	8.13	1.93	36.9	58.5	15.3	2.13	2.68	1.37	7.27	1.09	3.41
65x65	7	6.83	9.00	4.50	8.73	2.05	33.4	53.0	13.8	1.96	2.47	1.26	7.18	1.58	2.67
60x60	8	7.09	8.00	4.00	9.03	1.77	29.2	46.1	12.2	1.80	2.26	1.16	6.89	2.09	2.14
	6	5.42	8.00	4.00	6.91	1.69	22.8	36.1	9.44	1.82	2.29	1.17	5.29	0.922	2.90
	5	4.57	8.00	4.00	5.82	1.64	19.4	30.7	8.03	1.82	2.30	1.17	4.45	0.550	3.48
50x50	6	4.47	7.00	3.50	5.69	1.45	12.8	20.3	5.34	1.50	1.89	0.968	3.61	0.755	2.38
	5	3.77	7.00	3.50	4.80	1.40	11.0	17.4	4.55	1.51	1.90	0.973	3.05	0.450	2.88
	4	3.06	7.00	3.50	3.89	1.36	8.97	14.2	3.73	1.52	1.91	0.979	2.46	0.240	3.57
45x45	5	3.06	7.00	3.50	3.90	1.25	7.14	11.4	2.94	1.35	1.71	0.870	2.20	0.304	2.84
40x40	5	2.97	6.00	3.00	3.79	1.16	6.43	8.60	2.26	1.20	1.51	0.773	1.91	0.352	2.26
	4	2.42	6.00	3.00	3.08	1.12	4.47	7.09	1.86	1.21	1.52	0.777	1.55	0.188	2.83
35x35	4	2.09	5.00	2.50	2.67	1.00	2.95	4.68	1.23	1.05	1.32	0.678	1.18	0.158	2.50
30x30	4	1.78	5.00	2.50	2.27	0.878	1.80	2.85	0.754	0.892	1.12	0.577	0.850	0.137	2.07
	3	1.36	5.00	2.50	1.74	0.835	1.40	2.22	0.585	0.899	1.13	0.581	0.649	0.0613	2.75
25x25	4	1.45	3.50	1.75	1.85	0.762	1.02	1.61	0.430	0.741	0.931	0.482	0.586	0.1070	1.75
	3	1.12	3.50	1.75	1.42	0.723	0.803	1.27	0.334	0.751	0.945	0.484	0.452	0.0472	2.38
20x20	3	0.882	3.50	1.75	1.12	0.598	0.392	0.618	0.165	0.590	0.742	0.383	0.279	0.0382	1.81

Advance and UKA are trademarks of Corus. A fuller description of the relationship between Angles and the Advance range of sections manufactured by Corus is given on page A - 42.

These sections are in addition to the range of BS EN 10056-1 sections.

c is the distance from the back of the leg to the centre of gravity.

FOR EXPLANATION OF TABLES SEE NOTES 2 AND 3